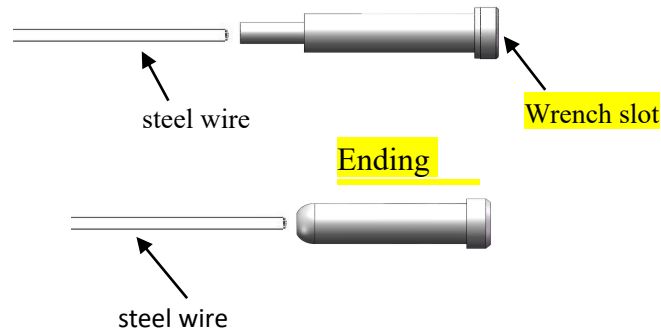


MR.RAIL MR-07 1/8" Quick Lock + Swage Hidden Cable Railing Tensioner Installation Instructions

For Metal Posts | Hybrid Quick Lock + Swage Design 1/8" (3.2mm) 1x19 Stainless Steel Cable For 1.5-Inch—2-Inch Posts

Safety Notice: Wear work gloves during installation to avoid injury from sharp cable ends.

Tensioner components:



Required Tools

- Hydraulic crimping tool
- Hex key (Allen wrench)
- Drill with 12mm bit
- Cable cutter
- Pliers

Product Notes

Hybrid Quick Lock + Swage Design:

One end uses Quick Lock technology. Push the cable in until seated and locked. The opposite end uses a swage connection for a secure permanent hold.

Low-Visible Installation:

MR-07 is designed for a cleaner, hidden-style cable railing look, with most of the fitting body installed inside the post.

Quick Lock End:

The Quick Lock end allows the cable to be inserted and locked without crimping on that side.

Swage Tensioner End:

The swage side requires hydraulic crimping. After crimping, this connection becomes permanent.

Installation Steps

Step 1 — Drill Through-Holes: Drill 12mm through-holes through both starting and ending metal posts. Make sure the holes are aligned before installing the fittings.

Step 2 — Install Both Fittings: Install the Swage Tensioner on one post. Install the Quick Lock End Fitting on the opposite post. Make sure both fittings are fully seated inside the posts for a cleaner hidden-style installation. Make sure both fittings are fully seated.

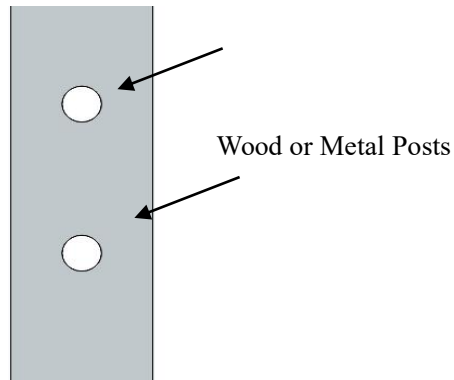
Step 3 — Insert Cable into the Quick Lock End: Feed the 1/8" 1*19 stainless steel cable through the railing system. Push the cable fully into the Quick Lock End Fitting until seated and locked. No crimping is required on the Quick Lock side. On the Swage Tensioner side, slide the cable into the tensioner body.

Step 4 — Swage the Tensioner Side: Place the cable correctly inside the swage section of the tensioner. Use a hydraulic crimping tool to permanently secure the cable. Trim excess cable if required. Important: After crimping, this connection is permanent. Check cable length and fitting position before crimping.

Step 5 — Final Tensioning: Use a hex key / Allen wrench to rotate the tensioner clockwise. Tighten until the cable is fully tensioned. Hold the opposite fitting with pliers if needed to prevent rotation.

Technical Notes: Recommended cable spacing: about 3". Always follow local IRC/IBC requirements and local building codes. Cable openings must not allow a 4" sphere to pass through. For indoor and outdoor use.

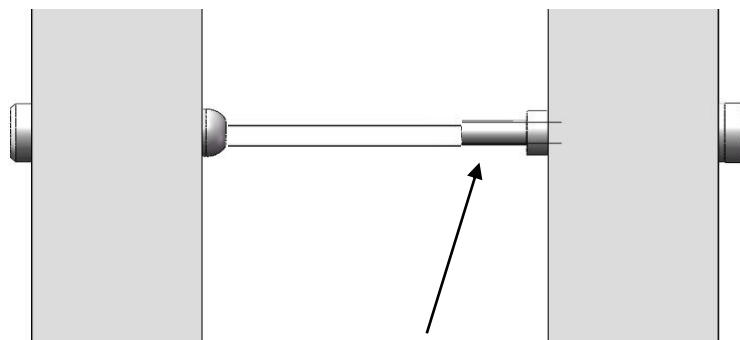
Step 1 – Drill Through-Holes: Drill 12mm through-holes through both starting and ending metal posts. Make sure the holes are aligned before installing the fittings.



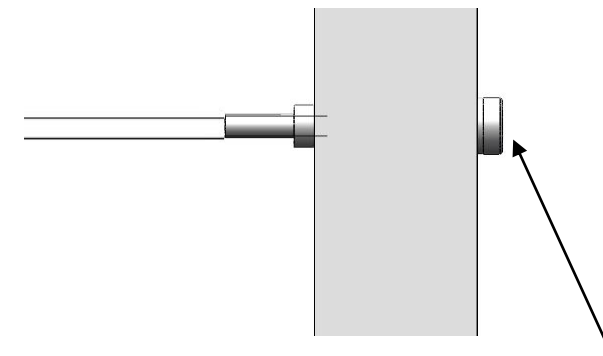
Step 2 — Install Both Fittings: Install the Swage Tensioner on one post. Install the Quick Lock End Fitting on the opposite post. Make sure both fittings are fully seated inside the posts for a cleaner hidden-style installation. Make sure both fittings are fully seated.



Step 3 — Insert Cable into the Quick Lock End: Feed the 1/8" 1*19 stainless steel cable through the railing system. Push the cable fully into the Quick Lock End Fitting until seated and locked. No crimping is required on the Quick Lock side. On the Swage Tensioner side, slide the cable into the tensioner body.



Step 4 — Swage the Tensioner Side: Place the cable correctly inside the swage section of the tensioner. Use a hydraulic crimping tool to permanently secure the cable. Trim excess cable if required. Important: After crimping, this connection is permanent. Check cable length and fitting position before crimping.



Step 5 — Final Tensioning: Use a hex key / Allen wrench to rotate the tensioner clockwise. Tighten until the cable is fully tensioned. Hold the opposite fitting with pliers if needed to prevent rotation.