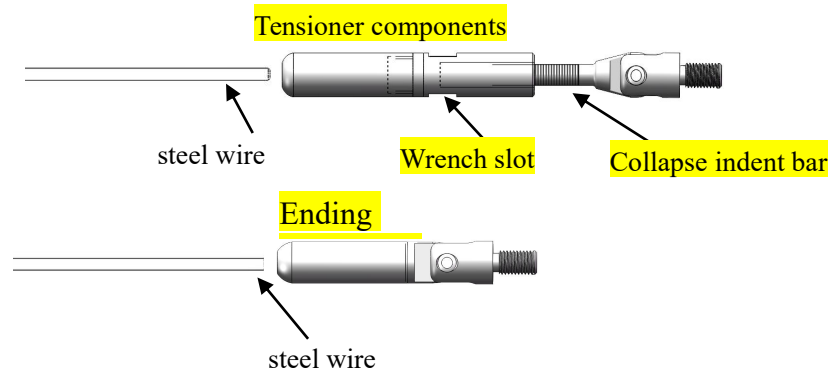


## MR.RAIL MR-03 1/8" Quick Lock Cable Railing Tensioner Installation Instructions for Metal Posts

Compatible with 1/8" (3.2mm) 1×19 Stainless Steel Cable

---

⚠ Wear work gloves during installation to avoid injury from sharp cable ends.



3/8" wrench, pliers, drill and 1/4"-28 UNF tap for threaded holes

### Installation Steps

Step 1 — Drill and Tap Threaded Holes: Drill and tap 1/4"-28 UNF threaded holes in both the starting and ending metal posts. Hole depth depends on post thickness and installation conditions.

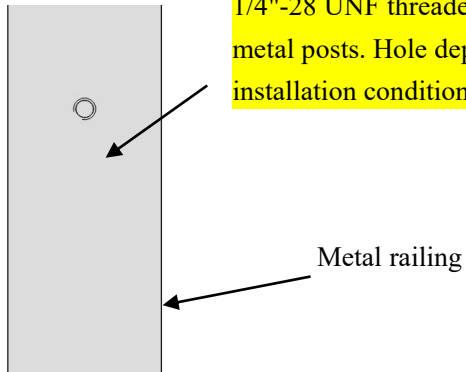
Step 2 — Install Tensioner and End Fitting: Thread the Tensioner into one metal post and the End Fitting into the opposite post. Leave about 10–15mm of exposed thread on the Tensioner side for final tensioning.

Step 3 — Insert Cable into Quick Lock Fittings: Push the 1/8" stainless steel cable fully into both Quick Lock fittings until seated and locked. No crimping is required.

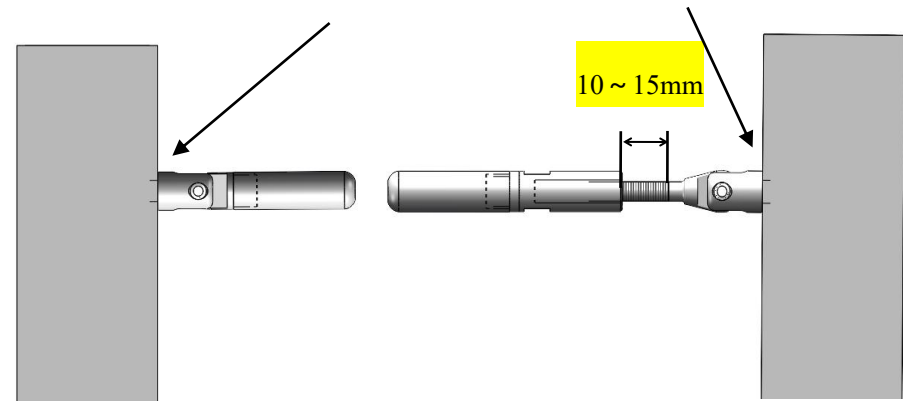
Step 4 — Tension the Cable: Use a 3/8" wrench to rotate the Tensioner. Hold the opposite fitting with pliers to prevent rotation. Tighten until the cable is fully tensioned.

**Technical Notes Recommended cable spacing: about 3". Always follow local IRC/IBC requirements and local building codes. Cable openings must not allow a 4" sphere to pass through. For indoor and outdoor use.**

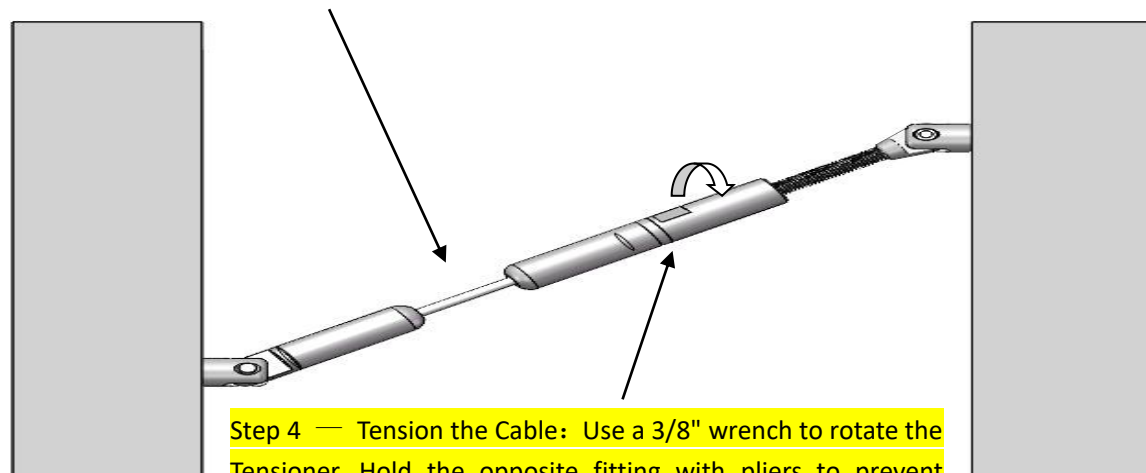
**Step 1 — Drill and Tap Threaded Holes:** Drill and tap 1/4"-28 UNF threaded holes in both the starting and ending metal posts. Hole depth depends on post thickness and installation conditions.



**Step 2 — Install Tensioner and End Fitting:** Thread the Tensioner into one metal post and the End Fitting into the opposite post. Leave about 10 - 15mm of exposed thread on the Tensioner side for final tensioning.



**Step 3 — Insert Cable into Quick Lock Fittings:** Push the 1/8" stainless steel cable fully into both Quick Lock fittings until seated and locked. No crimping is required.



**Step 4 — Tension the Cable:** Use a 3/8" wrench to rotate the Tensioner. Hold the opposite fitting with pliers to prevent rotation. Tighten until the cable is fully tensioned.